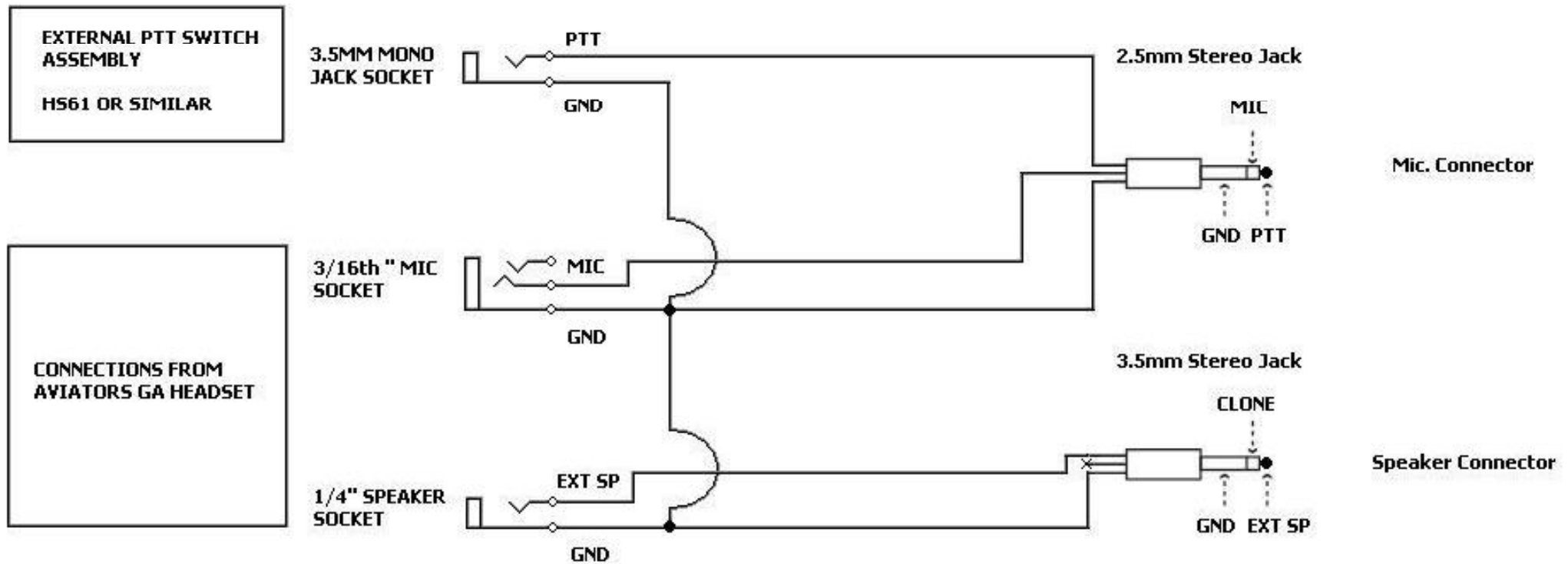


# HEADSET CONNECTIONS USING OPC499 INTERFACE CABLE FOR THE FOLLOWING MODELS

## IC-A3E/A22E & IC-A6E/A24E



LEAVE CLONE TERMINAL UNCONNECTED, AS IT MAY CAUSE CORRUPT DATA