

# Lightweight & Compact Antenna Tuner Long Wire and 50 $\Omega$ Antennas Compatible

### Wide Frequency Coverage

Provides matching across all bands from 1.8 MHz (160 m) to 50 MHz (6 m)\*, enabling efficient multiband operation with a single wire antenna. Ideal for portable and field operations where quick antenna setup is essential.

\* A ground connection is required. Tuning may not be possible, depending on the environment and conditions.

### SO-239 Connector for 50 $\Omega$ Antenna

Both long wire and 50  $\Omega$  antennas, such as verticals and dipoles, can be used\* and are selectable with a switch.

\* Do not connect two antennas at the same time to prevent damage to the antenna tuner during transmission.

### Compact Body for Portable Operation

The same compact size as the AH-4, 50%\* smaller and lighter than the AH-730. Cables can be connected without opening the cover, enabling quick and easy installation.

\* Approximately

### High Speed Tuning

Simply press the "TUNER" switch on the connected transceiver for fully automatic tuning in 2–3 seconds. The 200-channel memory stores matching settings, enabling re-tuning at the same frequency in approximately one second.

### Minimized Interference During Tuning

During tuning, the AH-6 reduces RF output to approximately 0.3 W through the attenuator, minimizing interference with other stations.

### IP54 Rugged Construction

The body is made of a high-rigidity resin. With a water-resistant structure that includes weather resistance and protection against salt damage, it can be safely used in various outdoor locations.



AH-6

## SPECIFICATIONS

|                                              |                                                      |                                                                                     |
|----------------------------------------------|------------------------------------------------------|-------------------------------------------------------------------------------------|
| Frequency coverage                           | Wire antenna                                         | 1.8 MHz ~ 54 MHz (with a 30 m or longer)<br>3.5 MHz ~ 54 MHz (with a 7 m or longer) |
|                                              | 50 Ω antenna                                         | 1.8 ~ 54 MHz (16.7 ~ 150 Ω)                                                         |
| Maximum input power                          | 120 W                                                |                                                                                     |
| Tuning power required                        | 5 ~ 15 W (10 W rated)                                |                                                                                     |
| Input impedance                              | 50 Ω                                                 |                                                                                     |
| Power supply requirement                     | 13.8 V DC±15% (supplied from transceiver)            |                                                                                     |
| Current drain                                | 0.6 A or less                                        |                                                                                     |
| Tuning accuracy                              | VSWR 2.0 : 1 or less<br>(except for multiples of ½λ) |                                                                                     |
| Number of memory channel                     | 200 ch                                               |                                                                                     |
| Tuning time                                  | Average 2 to 3 seconds<br>(maximum 15 seconds)       |                                                                                     |
| Operating temperature range                  | -10°C ~ +60°C                                        |                                                                                     |
| Weight                                       | 1.25 kg (approximately)                              |                                                                                     |
| Dimensions (W×H×D, projections not included) | 172 × 230 × 71 mm                                    |                                                                                     |

### Applicable IP Rating

### Ingress Protection Standard

|           |                                            |
|-----------|--------------------------------------------|
| IP rating | IP54 (Dust-protection and water resistant) |
|-----------|--------------------------------------------|

All stated specifications are subject to change without notice or obligation.

## INSTALLATION EXAMPLES

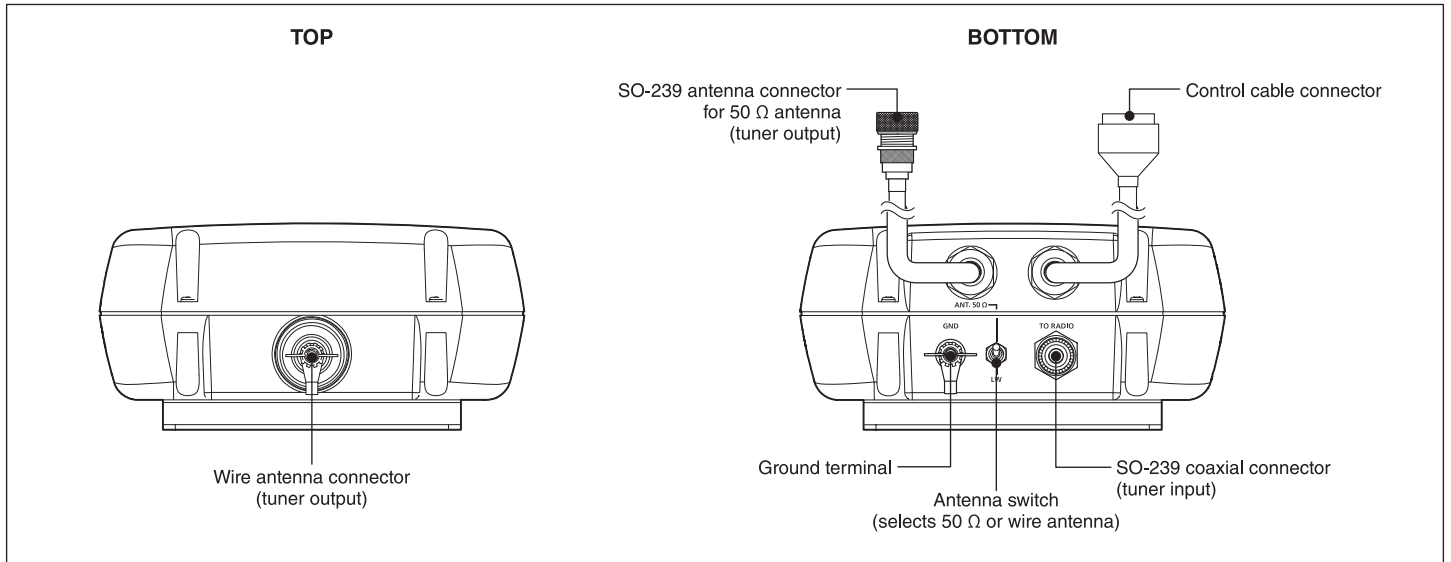


50 Ω antenna



Long wire antenna

## PANEL VIEW



## COMPATIBLE TRANSCEIVERS

IC-7610, IC-7760\*, IC-7300MK2, and IC-718 (as of May 2026)

\* When the AH-6 is connected to the IC-7760, output power of the specified antenna terminal is automatically set to 100 W or less

## SUPPLIED ACCESSORIES

- Control cable (10 m)
- Mounting kit (U-bolts and plates)

## OPTIONAL ACCESSORIES

### OPC-1465

SHIELDED CONTROL CABLE (10 m)

Same as supplied.



Icom and the Icom logo are registered trademarks of Icom Incorporated (Japan) in Japan, the United States, the United Kingdom, Germany, France, Spain, Russia, Australia, New Zealand and/or other countries.

**Icom Inc.**

1-1-32, Kamiminami, Hirano-Ku, Osaka 547-0003, Japan Phone: +81 (06) 6793 5302

For the latest information, please visit [www.icomjapan.com](http://www.icomjapan.com)

**Icom America Inc.**  
[www.icomamerica.com](http://www.icomamerica.com)

**Icom (Europe) GmbH**  
[www.icomeurope.com](http://www.icomeurope.com)

**Icom France s.a.s.**  
[www.icom-france.com](http://www.icom-france.com)

**Icom Canada**  
[www.icomcanada.com](http://www.icomcanada.com)

**Icom Spain S.L.**  
[www.icomspain.com](http://www.icomspain.com)

**Icom (Australia) Pty. Ltd.**  
[www.icom.net.au](http://www.icom.net.au)

**Icom Brazil**  
E-mail: [sales@icombrasil.com](mailto:sales@icombrasil.com)

**Icom (UK) Ltd.**  
[www.icomuk.co.uk](http://www.icomuk.co.uk)

**Icom Asia Co., Ltd.**  
[www.icomasia.com](http://www.icomasia.com)