



Easy to See! Easy to Hear!

Large LCD (27 x 43mm)

A large LCD is incorporated into the design allowing easy viewing of the large channel display and the scrolling 10-character channel name system—even in direct sunlight, or when water has splashed on the screen. In addition, the 4-step amber backlighting for both the LCD and switches allows the set to be seen in low-light conditions.



The photo shows actual display size.

Compact Front Panel

The IC-M401EURO has a flush mount body and compact front panel making it ideal for installation in a steering panel or bulkhead. The front panel design is well organised and contains well-labelled switches and controls providing simple operation even in the roughest weather conditions.

Waterproof Protection

The IC-M401EURO, including the microphone and the optional DS-100 have a waterproof protection, equivalent to JIS waterproof specification grade 7*. You can wash away any dirt or any salt with fresh water after your outing.

* 1m depth for 30 minutes; except cables.

Superior Audio with Large Speaker

A newly designed large speaker grille gives excellent audio quality from the front-mounted speaker. This result in clear reception, even over wind or engine noise.



White Type

Optional ITU Class-D DSC Controller, DS-100

If you are really concerned about DSC operation not only for "Distress" situation, but also for private ship-to-ship or shore calls, the LCD and switches must be large for convenient use. The DS-100 has a 21 character x 8 line display, that shows full dot-matrix characters with excellent clarity. Individual, group and all ships calls can be made easily with the large keypads. Up to 40 received message memory, and a total of 70 individual or group ID's can be programmed.

And More

- Dual and tri-watch functions for monitoring Ch 16 and/or another channel, while receiving on another channel
- Supplied 'smart' microphone for instant channel selection
- Simple and easy tag scanning system
- Up to 22 free channels are available
- Black or white color types available

Icom Inc.

SPECIFICATIONS

GENERAL

- Frequency range : Tx 156.025–157.425MHz
Rx 156.025–162.025MHz
- Type of emission : 16K0G3E (FM), 16K0G2B (DSC)
- Usable channels : All International channels
* All USA channels additionally available depending on version
- Power supply : 13.8V DC
- Current drain (at 13.8V DC):
Tx high 6.0A max.
Max. audio 1.2A max.
- Operating temp. range : -20°C to +60°C
- Frequency stability : ±1.5kHz (-20°C to +60°C)
- Antenna connector : SO-239 (50Ω)
- Dimensions : 153(W)×67(H)×141.6(D) mm (proj. not incl.)
- Weight (approx.) : 900g

TRANSMITTER

- Output power : 25W or 1W (at 13.8V DC)
- Modulation system : Variable reactance phase mod.
- Max. Freq. deviation: ±5.0kHz
- Spurious emissions : 0.25µW

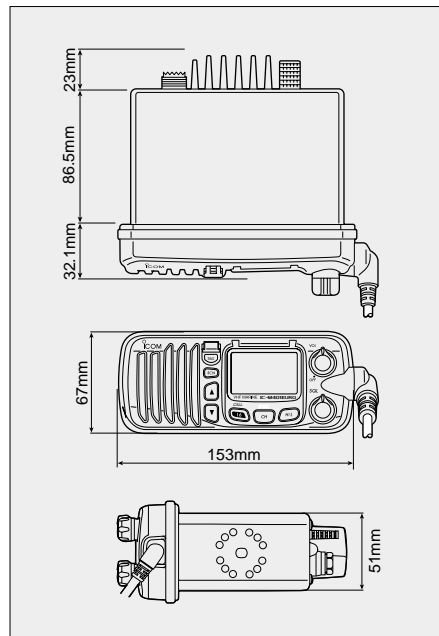
RECEIVER

- Receive system : Double conversion super-heterodyne
- Sensitivity : Less than -2dBµ EMF at 20dB SINAD
- Squelch sensitivity : Less than 0dBµ EMF
- Intermod. rejection : More than 68dB
- Spurious response : More than 70dB
- Adj. Ch. selectivity : More than 70dB
- Audio output power : 2W at 10% distortion with a 4Ω load

Supplied accessories:

- Hand microphone
- DC power cable
- Mounting bracket kit
- Spare fuses

Measurements made in accordance with EN301 025.
All stated specifications are subject to change without notice or obligation.



OPTIONS



DS-100

DS-100 DSC CONTROLLER UNIT (Ver. 02)

- Receive frequency : 156.525MHz (Ch 70)
- Type of reception : 16K0G2B (DSC)
- Operating temp. range : -20°C to +60°C
- Antenna connector : SO-239 (50Ω)
- Dimensions (proj. not incl.): 165(W)×110(H)×84.4(D) mm
- Weight (approx.) : 1.0kg
- Sensitivity : -10dBµ typical
- Adjacent Ch. selectivity : 70dB
- Spurious response : 70dB
- Intermod. rejection ratio : 68dB

Specifications for DS-100 are measured in accordance with EN 301 025.

FLUSH MOUNT KITS



MB-69

MB-75

- MB-69:** For mounting the IC-M401EURO to a panel.
- MB-75:** For mounting the DS-100 to a panel.

EXTERNAL SPEAKERS



SP-5

SP-10

- SP-5:** A large speaker for superior audio output.
- SP-10:** A compact speaker, for limited space.



Icom Inc.

1-1-32, Kamiminami, Hirano-ku, Osaka 547-0003, Japan Phone: 06 6793 5302 Fax: 06 6793 0013 URL: <http://www.icom.co.jp/world/index.html>

Count on us!

Icom America Inc.

<Corporate Headquarters>
2380 116th Avenue N.E., Bellevue, WA 98004, U.S.A.
Phone: (425) 454-8155 Fax: (425) 454-1509
URL : <http://www.icomamerica.com>
<Customer Service> Phone : (425) 454-7619

Icom Canada

Glenwood Centre #150-6165 Highway 17,
Delta, B.C., V4K 5B8, Canada
Phone: (604) 952-4266 Fax: (604) 952-0090
URL : <http://www.icomcanada.com>

Icom (Australia) Pty. Ltd.

A.B.N. 88 006 092 575
290-294 Albert Street, Brunswick, Victoria, 3056, Australia
Phone: 03 9387 0666 Fax: 03 9387 0022
URL : <http://www.icom.net.au>

Icom New Zealand

146A Harris Road, East Tamaki, Auckland, New Zealand
Phone: 09 274 4062 Fax: 09 274 4708
URL : <http://www.icom.co.nz>

Icom (Europe) GmbH

Communication Equipment
Himmelgeister Str. 100, D-40225 Düsseldorf, Germany
Phone: 0211 346047 Fax: 0211 333639
URL : <http://www.icomeurope.com>

Icom Spain S.L.

Ctra. de Gracia a Manresa Km. 14,750
08190 Sant Cugat del Valles Barcelona, SPAIN
Phone: (93) 590 26 70 Fax: (93) 589 04 46
URL : <http://www.icomspain.com>

Icom (UK) Ltd.

Unit 9, Sea St., Herne Bay, Kent, CT6 8LD, U.K.
Phone: 01227 741741 Fax: 01227 741742
URL : <http://www.icomuk.co.uk>

Icom France S.a

Zac de la Plaine, Rue Brindejonn des Moulinais
BP 5804, 31505 Toulouse Cedex, France
Phone: 561 36 03 03 Fax: 561 36 03 00
URL : <http://www.icom-france.com>

Asia Icom Inc.

6F No. 68, Sec. 1 Cheng-Teh Road,
Taipei, Taiwan, R.O.C.
Phone: (02) 2559 1899 Fax: (02) 2559 1874

Your local distributor/dealer:



Certificate Number Q14190

Icom Inc. (Japan), is an ISO9001 certification acquired company.