



▲ The above DS-100 is an optional DSC terminal unit for class D operation.



4×6 in. of simplicity and waterproof perfection!

4×6" body— easy operation & installation

The 4×6" front panel brings you a user-friendly key layout and size, and large LCD. Well spaced large keys and channel selector provide easy operation. The LCD includes dot-matrix characters, shows large, easy-to-read channel numbers with a variety of information at a glance. You can never mistake the operation even in high seas. Slim dimensions (depth) allow easy installation into instrument control panels or onto dashboards, etc.

Compatible Digital Selective Calling class D

When the optional DSC terminal unit, DS-100, is connected, the IC-M501EURO meets DSC class D requirements— *Individual, Group, All ships call (Safety, Urgency), Distress setting (undesigned, Fire/Explosion, Flooding, Collision)*, total 40 received call memory channels (20 each for distress and other messages), and the UTC or Local time indication, GPS receiver connection capability (for your position indication and DSC operation) are included. The DS-100 also has a "4×6" body", and allows you to edit for emergency readiness.

Waterproof construction

Effective, waterproof* construction is employed.

*equivalent to JIS waterproof spec. grade 7 (1 m/30 min.; except cables)

Newly designed 'Smart-speaker-mic.'

The supplied 'Smart-speaker-mic.' allows you to select operating channels and output power, as well as hear every transmission.



And more...

- All International and USA* channels are available
*depending on version
- Simple "TAG" scanning system
- Ch. 16 and call channel instant access
- Optional UT-98 or UT-112 for communications privacy*
*Not available in some countries due to local regulations
- ATIS standard for German and Dutch versions
- Up to 22 free channels are available*
*Ask your dealer for details
- Backlighting for LCD and keypad are adjustable to 8 levels

SPECIFICATIONS

GENERAL

- Frequency range : Tx 156.025–157.425 MHz
Rx 156.300–162.025 MHz
- Mode : 16K0G3E (FM)
- Usable channels : All International and USA* channels
*availability depending on version
- Power supply requirement:
13.8 V DC
- Current drain (at 13.8 V DC):
Transmit 6 A (at 25 W output)
Receive 1.2 A (at AF max.)
- Operating temp. range : -20°C to +60°C
- Antenna connector : SO-239 (50 Ω)
- Dimensions : 165(W)×110(H)×84.4(D) mm
(proj. not incl.)
- Weight (approx.) : 1.13 kg

TRANSMITTER

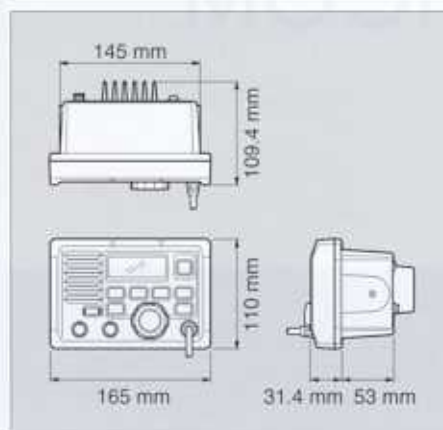
- Output power : 25 W or 1 W (at 13.8 V DC)
- Modulation system : Variable reactance freq. mod.
- Max. Freq. deviation : ±5 kHz
- Spurious emissions : 0.25 μW
- Residual modulation : More than 40 dB
- Adjacent ch. power : 70 dB

RECEIVER

- Receive system : Double conversion super-heterodyne
- Intermediate freq. : 1st 21.7 MHz
2nd 450 kHz
- Sensitivity : -10 dBμ typical at 20 dB SINAD
- Squelch sensitivity : -10 dBμ at threshold
- Adj. ch. selectivity : 70 dB
- Spurious response : 70 dB
- Intermod. rejection : 68 dB
- Audio output power : 3.5 W typical at 10% distortion with a 4 Ω load

Supplied accessories:

- Hand microphone
- DC power cable
- Mounting bracket kit
- Spare fuses



All stated specifications are subject to change without notice or obligations.

OPTIONS



DS-100

DS-100 DSC TERMINAL UNIT

- Receive frequency : 156.525 MHz (Ch 70)
- Mode : 16K0G2B
- Operating temp. range : -20°C to +60°C
- Antenna connector : SO-239 (50 Ω)
- Dimensions (proj. not incl.): 165(W)×110(H)×84.4(D) mm
- Weight (approx.) : 1.0 kg
- Sensitivity : -10 dBμ typical
- Adjacent Ch. selectivity : 73 dBμ
- Spurious response : 73 dBμ
- Intermod. rejection ratio : 68 dBμ

Specifications for DS-100 are measured in accordance with EN 301 025.



MB-75

• MB-75 FLUSH MOUNT KIT

For flush-mounting the IC-M501EURO or DS-100 to a flat surface such as an instrument control panel.

• UT-98 VOICE SCRAMBLER UNIT

Enables private communication by scrambling your voice signal. Up to 128 scrambling codes are available. Not available in some countries. Scrambling system is not compatible with the UT-112.

• UT-112 VOICE SCRAMBLER UNIT

Enables private communication by scrambling your voice signal. Up to 32 scrambling codes are available. Not available in some countries. Scrambling system is not compatible with the UT-98.



Icom Inc.

6-9-16, Kamihigashi, Hirano-ku, Osaka 547-0002, Japan Phone: 06 6793 5302 Fax: 06 6793 0013 URL: <http://www.icom.co.jp/world/index.html>

Count on us!

Icom America Inc.

<Corporate Headquarters>
2390 116th Avenue N.E., Bellevue, WA 98004, U.S.A.
Phone: (425) 454-8155 Fax: (425) 454-1509
URL: <http://www.icomamerica.com>
<Customer Service> Phone: (425) 454-7619

Icom Canada

Glenwood Centre #150-6165 Highway 17,
Delta, B.C., V4K 5B8, Canada
Phone: (604) 952-4266 Fax: (604) 952-0090
URL: <http://www.icomcanada.com>

Icom (Australia) Pty. Ltd.

A.C.N. 006 092 575
290-294 Albert Street, Brunswick, Victoria, 3056, Australia
Phone: 03 9387 0666 Fax: 03 9387 0022
URL: <http://www.icom.net.au>

Asia Icom Inc.

8F No. 68, Sec. 1 Cheng-Teh Road, Taipei, Taiwan, R.O.C.
Phone: (02) 2559 1899 Fax: (02) 2559 1874

Icom (Europe) GmbH

Communication Equipment
Himmelgelster Str. 100, D-40225 Düsseldorf, Germany
Phone: 0211 346047 Fax: 0211 333639
URL: <http://www.icomeurope.com>

Icom Spain S.L.

Ctra. de Gracia a Manresa Km. 14,750
08190 Sant Cugat del Valles Barcelona, SPAIN
Phone: (93) 590 26 70 Fax: (93) 589 04 46
URL: <http://www.icomspain.com>

Icom (UK) Ltd.

Unit 9, Sea St., Home Bay, Kent, CT6 8LD, U.K.
Phone: 01227 741741 Fax: 01227 741742
URL: <http://www.icomuk.co.uk>

Icom France S.a

Zac de la Plaine, Rue Brindejonc des Moulins
BP 5804, 31506 Toulouse Cedex, France
Phone: 561 36 03 03 Fax: 561 36 03 00
URL: <http://www.icom-france.com>



Certificate Number Q14190

Icom Inc. (Japan), is an
ISO9001 certification
acquired company.

Your local distributor/dealer:

SPECIFICATIONS

GENERAL

- Frequency range : Tx 156.025–157.425 MHz
Rx 156.300–162.025 MHz
- Mode : 16K0G3E (FM)
- Usable channels : All International and USA* channels
*availability depending on version
- Power supply requirement:
13.8 V DC
- Current drain (at 13.8 V DC):
Transmit 6 A (at 25 W output)
Receive 1.2 A (at AF max.)
- Operating temp. range : -20°C to +60°C
- Antenna connector : SO-239 (50 Ω)
- Dimensions : 165(W)×110(H)×84.4(D) mm
(proj. not incl.)
- Weight (approx.) : 1.13 kg

TRANSMITTER

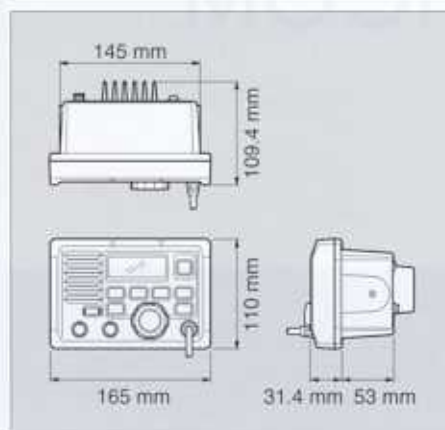
- Output power : 25 W or 1 W (at 13.8 V DC)
- Modulation system : Variable reactance freq. mod.
- Max. Freq. deviation : ±5 kHz
- Spurious emissions : 0.25 μW
- Residual modulation : More than 40 dB
- Adjacent ch. power : 70 dB

RECEIVER

- Receive system : Double conversion super-heterodyne
- Intermediate freq. : 1st 21.7 MHz
2nd 450 kHz
- Sensitivity : -10 dBμ typical at 20 dB SINAD
- Squelch sensitivity : -10 dBμ at threshold
- Adj. ch. selectivity : 70 dB
- Spurious response : 70 dB
- Intermod. rejection : 68 dB
- Audio output power : 3.5 W typical at 10% distortion
with a 4 Ω load

Supplied accessories:

- Hand microphone
- DC power cable
- Mounting bracket kit
- Spare fuses



All stated specifications are subject to change without notice or obligations.

OPTIONS



DS-100

DS-100 DSC TERMINAL UNIT

- Receive frequency : 156.525 MHz (Ch 70)
- Mode : 16K0G2B
- Operating temp. range : -20°C to +60°C
- Antenna connector : SO-239 (50 Ω)
- Dimensions (proj. not incl.): 165(W)×110(H)×84.4(D) mm
- Weight (approx.) : 1.0 kg
- Sensitivity : -10 dBμ typical
- Adjacent Ch. selectivity : 73 dBμ
- Spurious response : 73 dBμ
- Intermod. rejection ratio : 68 dBμ

Specifications for DS-100 are measured in accordance with EN 301 025.



MB-75

• MB-75 FLUSH MOUNT KIT

For flush-mounting the IC-M501EURO or DS-100 to a flat surface such as an instrument control panel.

• UT-98 VOICE SCRAMBLER UNIT

Enables private communication by scrambling your voice signal. Up to 128 scrambling codes are available. Not available in some countries. Scrambling system is not compatible with the UT-112.

• UT-112 VOICE SCRAMBLER UNIT

Enables private communication by scrambling your voice signal. Up to 32 scrambling codes are available. Not available in some countries. Scrambling system is not compatible with the UT-98.



Icom Inc.

6-9-16, Kamihigashi, Hirano-ku, Osaka 547-0002, Japan Phone: 06 6793 5302 Fax: 06 6793 0013 URL: <http://www.icom.co.jp/world/index.html>

Count on us!

Icom America Inc.

<Corporate Headquarters>
2390 116th Avenue N.E., Bellevue, WA 98004, U.S.A.
Phone: (425) 454-8155 Fax: (425) 454-1509
URL: <http://www.icomamerica.com>
<Customer Service> Phone: (425) 454-7619

Icom Canada

Glenwood Centre #150-6165 Highway 17,
Delta, B.C., V4K 5B8, Canada
Phone: (604) 952-4266 Fax: (604) 952-0090
URL: <http://www.icomcanada.com>

Icom (Australia) Pty. Ltd.

A.C.N. 006 092 575
290-294 Albert Street, Brunswick, Victoria, 3056, Australia
Phone: 03 9387 0666 Fax: 03 9387 0022
URL: <http://www.icom.net.au>

Asia Icom Inc.

8F No. 68, Sec. 1 Cheng-Teh Road, Taipei, Taiwan, R.O.C.
Phone: (02) 2559 1899 Fax: (02) 2559 1874

Icom (Europe) GmbH

Communication Equipment
Himmelgelster Str. 100, D-40225 Düsseldorf, Germany
Phone: 0211 346047 Fax: 0211 333639
URL: <http://www.icomeurope.com>

Icom Spain S.L.

Ctra. de Gracia a Manresa Km. 14,750
08190 Sant Cugat del Valles Barcelona, SPAIN
Phone: (93) 590 26 70 Fax: (93) 589 04 46
URL: <http://www.icomspain.com>

Icom (UK) Ltd.

Unit 9, Sea St., Home Bay, Kent, CT6 8LD, U.K.
Phone: 01227 741741 Fax: 01227 741742
URL: <http://www.icomuk.co.uk>

Icom France S.a

Zac de la Plaine, Rue Brindejonc des Moulins
BP 5804, 31506 Toulouse Cedex, France
Phone: 561 36 03 03 Fax: 561 36 03 00
URL: <http://www.icom-france.com>



Certificate Number Q14190

Icom Inc. (Japan), is an
ISO9001 certification
acquired company.

Your local distributor/dealer: