

IC-M503



▲ The above DS-100 is an optional DSC Controller

The smartest way to use a second station with the IC-M503...COMMANDMIC™

4×6 inch body for simple operation

The IC-M503 has a 4×6 inch front panel that will easily blend into your cabin console or dashboard. The generous front panel provides large function switches and a wide LCD. With full dot-matrix characters, information can be easily read under any lighting condition.

Optional COMMANDMIC™; HM-134B

The COMMANDMIC™ (HM-134B) is really handy as a 2nd station for the IC-M503 to operate all functions (except DSC operation) from remote locations, such as from the deck or flybridge. With slim dimensions and the sizable LCD, the COMMANDMIC™ fits in your palm comfortably. The powerful AF amplifier provides a reliable 2.0W of output power that is similar to a fixed mount radio. What's more, you can talk with the IC-M503 as an intercom.

Optional Class-D DSC controller DS-100

The DS-100 has a 168-character full dot-matrix display that is very easy to see. Large, clearly labeled controls allow you to easily make routine individual, group and all ships calls. Up to 40 received messages (20 distress and 20 other calls) are stored, and a total 70 address ID's (Individual and Group ID) can be programmed. When connected to the GPS receiver (NMEA0183 Ver.2.0), position data and universal/local times can be displayed.



Water resistant construction

The IC-M503, DS-100 and COMMANDMIC™ have water resistant construction*.

▲ Optional COMMANDMIC™, HM-134B

You can install the unit into the most convenient place, without worrying about watersplash.

* Equivalent to JIS waterproof specification grade 7 or IPX7 of the corresponding international standard IEC 529 (1989) (1m depth for 30 minutes; except cables).

And more...

- Backlighting for LCD and keypad are adjustable to 8 levels
- One touch access to Ch 16 or call channel
- Supplied 'Speaker-mic' for clear transmission and remote functions
- Optional UT-98 or UT-112 provides private communication* (*Not available in some countries due to local regulations)
- ATIS standard for Dutch and German versions
- Up to 22 free programmable channels* (*Ask your dealer for details)

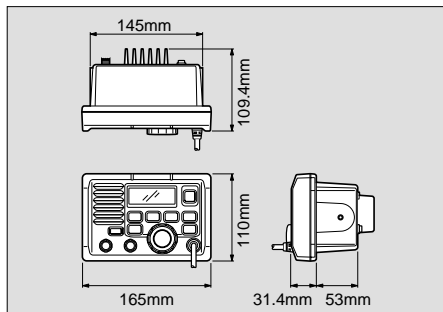
SPECIFICATIONS

GENERAL

- Frequency range* : Tx 156.000–161.450MHz
Rx 156.000–163.425MHz
* Frequency range that may be subject to licensing conditions.
- Type of emission : 16K0G3E (FM)
- Usable channels : All International and USA* channels
*availability depending on version
- Power supply : 13.8V DC (10.8V–15.6V)
- Current drain (at 13.8V DC)
Transmit : 6.0A (at 25W output)
Receive : 1.5A (at AF max.)
- Operating temp. range : –20°C to +60°C
- Antenna connector : SO-239 (50Ω)
- Dimensions : 165(W)×110(H)×109.4(D)mm (proj. not included)
- Weight (approx.) : 1.13kg

TRANSMITTER

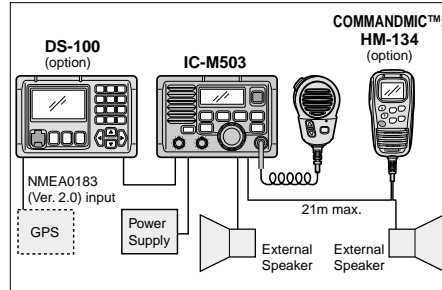
- Output power : 25W or 1W (at 13.8V DC)
- Modulation system : Variable reactance freq. mod.
- Max. Freq. deviation: ±5kHz
- Spurious emissions : Less than 0.25μW
- Residual modulation: More than 40dB
- Adjacent Ch. power : More than 70dB



RECEIVER

- Intermediate freq. : 1st 21.7MHz
2nd 450kHz
- Sensitivity : Less than –3dBμ emf at 20dB SINAD
- Squelch sensitivity : Less than 0dBμ emf
- Adj. Ch. selectivity : More than 70dB
- Spurious response : More than 70dB
- Intermod. rejection : More than 68dB
- Audio output power : 2.0W at 10% distortion with a 4Ω load

SYSTEM OVERVIEW



Supplied accessories:

- Hand microphone
- DC power cable
- Mounting bracket kit
- Mic. hanger

Measurements made in accordance with EN 301 025. All stated specifications are subject to change without notice or obligation.

OPTIONS

- **DS-100 DSC CONTROLLER (Ver. 02)**
 Receiving frequency : 156.525MHz (Ch 70)
 Mode : 16K0G2B
 Operating temp. range : –20°C to +60°C
 Antenna connector : SO-239 (50Ω)
 Dimensions (proj. not incl.): 165(W)×110(H)×84.4(D)mm
 Weight (approx.) : 1.0kg
 Sensitivity : 1μV
 Adjacent Ch. selectivity : 70dB
 Spurious response : 70dB
 Intermod. rejection ratio : 68dB
 GPS interface : NMEA0183 ver. 2.0
- **HM-134B REMOTE-CONTROL MICROPHONE**
 Up to 21m of freedom from the IC-M503 with two OPC-999, extension cables. Allows you to control all functions of the IC-M503 (except DSC operation). When connected to an external speaker, provides 2.0W of audio output power with an 8Ω load.
 Dimension (proj. not incl.): 63.5(W)×125.0(H)×31.4(D)mm
 Weight : 265g
 Supplied accessories :
 • Mounting base for cable connector
 • OPC-1000 (6m cable) • Mic. hanger

- **OPC-999 EXTENSION CABLE FOR HM-134B**
 6m of extension cable for use with COMMANDMIC™.
- **MB-75 FLUSH MOUNT KIT**
 For flush-mounting the IC-M503 or DS-100 to a flat surface such as a control panel.
- **UT-98 VOICE SCRAMBLER UNIT**
 Enables private communication by scrambling your voice signal. Up to 128 scrambling codes are available. Not available in some countries. Scrambling system is not compatible with the UT-112.
- **UT-112 VOICE SCRAMBLER UNIT**
 Enables private communication by scrambling your voice signal. Up to 32 scrambling codes are available. Not available in some countries. Scrambling system is not compatible with the UT-98.
- **EXTERNAL SPEAKERS (for use with IC-M503)**
SP-5: A large speaker for superior audio output.
SP-10: A compact speaker, for limited space.
 COMMANDMIC is a trademark of Icom Inc.



COMMANDMIC™

Icom Inc.

1-1-32, Kamiminami, Hirano-ku, Osaka 547-0003, Japan Phone: 06 6793 5302 Fax: 06 6793 0013 URL: <http://www.icom.co.jp/world/index.html>

Count on us!

Icom America Inc.

<Corporate Headquarters>
 2380 116th Avenue N.E., Bellevue, WA 98004, U.S.A.
 Phone: (425) 454-8155 Fax: (425) 454-1509
 URL : <http://www.icomamerica.com>
 <Customer Service> Phone : (425) 454-7619

Icom Canada

Glenwood Centre #150-6165 Highway 17,
 Delta, B.C., V4K 5B8, Canada
 Phone: (604) 952-4266 Fax: (604) 952-0090
 URL : <http://www.icomcanada.com>

Icom (Australia) Pty. Ltd.

A.B.N. 88 006 092 575
 290-294 Albert Street, Brunswick, Victoria, 3056, Australia
 Phone: 03 9387 0666 Fax: 03 9387 0022
 URL : <http://www.icom.net.au>

Icom New Zealand

146A Harris Road, East Tamaki, Auckland, New Zealand
 Phone: 09 274 4062 Fax: 09 274 4708
 URL : <http://www.icom.co.nz>

Icom (Europe) GmbH

Communication Equipment
 Himmelgeister Str. 100, D-40225 Düsseldorf, Germany
 Phone: 0211 346047 Fax: 0211 333639
 URL : <http://www.icomeurope.com>

Icom Spain S.L.

Ctra. de Gracia a Manresa Km. 14.750
 08190 Sant Cugat del Valles Barcelona, SPAIN
 Phone: (93) 590 26 70 Fax: (93) 589 04 46
 URL : <http://www.icomspain.com>

Icom (UK) Ltd.

Unit 9, Sea St., Herne Bay, Kent, CT6 8LD, U.K.
 Phone: 01227 741741 Fax: 01227 741742
 URL : <http://www.icomuk.co.uk>

Icom France S.a

Zac de la Plaine, Rue Brindejonc des Moulinais
 BP 5804, 31505 Toulouse Cedex, France
 Phone: 561 36 03 03 Fax: 561 36 03 00
 URL : <http://www.icom-france.com>

Asia Icom Inc.

6F No. 68, Sec. 1 Cheng-Teh Road,
 Taipei, Taiwan, R.O.C.
 Phone: (02) 2559 1899 Fax: (02) 2559 1874
 URL : <http://www.asia-icom.com>

Beijing Icom Ltd.

1305, Wanshang Plaza, Shijingshan Road,
 Beijing, China
 Phone: (010) 6866 6337 Fax: (010) 6866 3553



Certificate Number Q14190

Icom Inc. (Japan), is an ISO9001 certification acquired company.

Your local distributor/dealer: