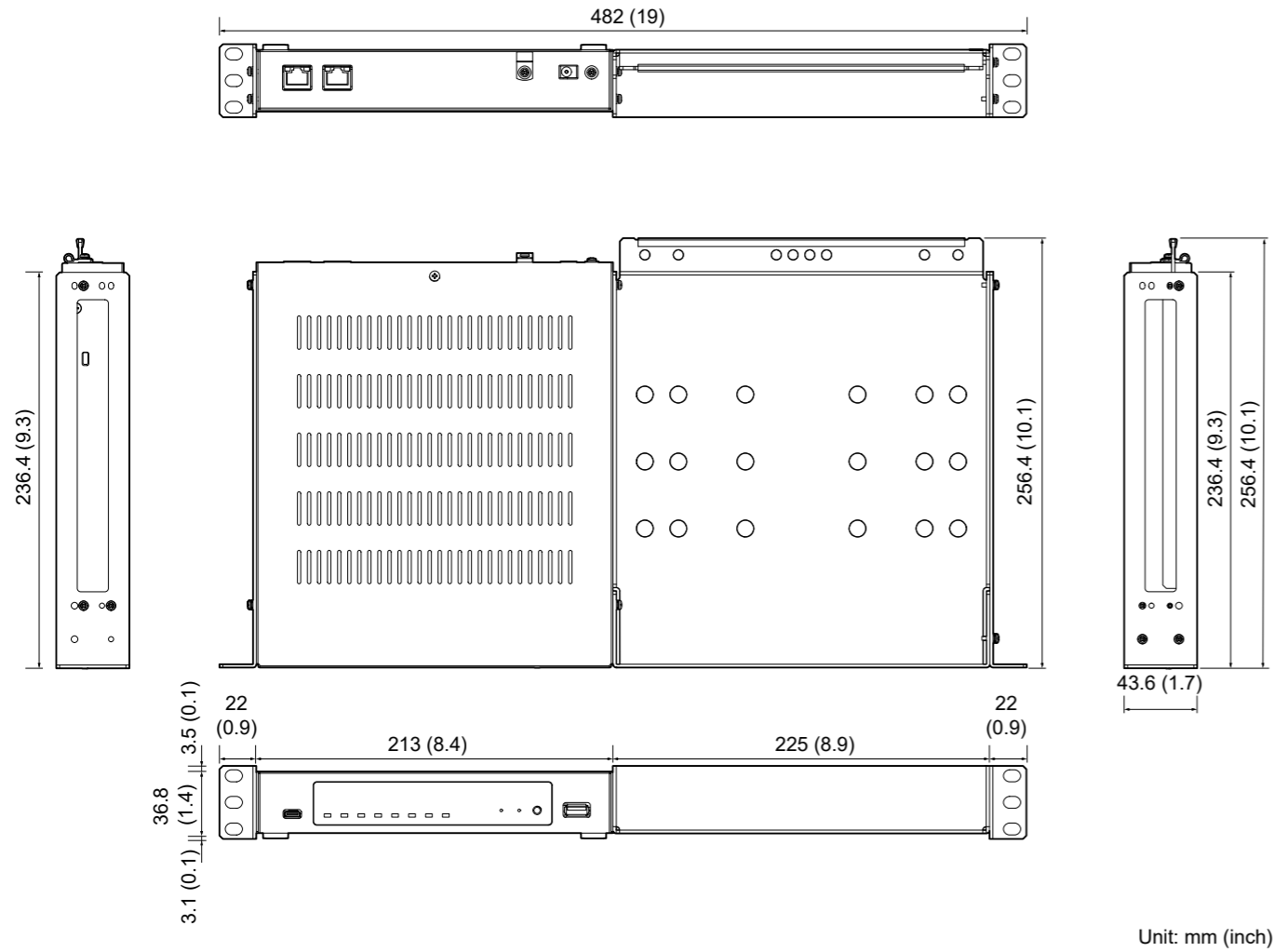


# Dimensions

(Example: attached to the IP1100CV)



① All stated specifications and design are subject to change without notice or obligation.

Icom and the Icom logo are registered trademarks of Icom Incorporated (Japan) in Japan, the United States, the United Kingdom, Germany, France, Spain, Russia, Australia, New Zealand, and/or other countries. All other products or brands are registered trademarks or trademarks of their respective holders.



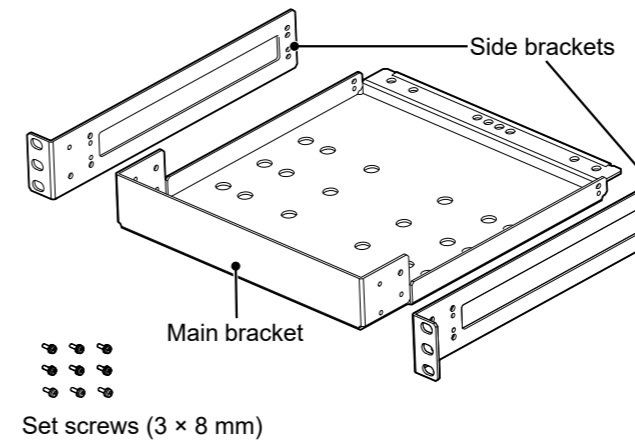
## INSTRUCTIONS

### MOUNTING BRACKET MBF-6

The MBF-6 is the mounting bracket set for the VE-PG4 or the IP1100CV to mount it into a 19-inch rack. You can attach the power adapter of the device to the main bracket.

#### Supplied items

You can install the brackets on the left or right side of the device.



① Use the bolts supplied with your 19-inch rack to fix the device to the rack.

#### Main bracket

- Dimensions: 256 (W) × 225 (D) × 40 (H) mm, 10.1 (W) × 8.9 (D) × 1.6 (H) inch
- Weight (approximate): 1150 g, 2.5 lb

#### Side bracket

- Dimensions: 236 (W) × 43 (D) × 22 (H) mm, 9.3 (W) × 1.7 (D) × 0.9 (H) inch
- Weight (approximate): 120 g, 4.2 oz

Icom is not responsible for the destruction, damage to, or performance of any Icom or non-Icom equipment, if the malfunction is because of:

- Force majeure, including, but not limited to, fires, earthquakes, storms, floods, lightning, other natural disasters, disturbances, riots, war, or radioactive contamination.
- The use of this Icom product with any equipment that is not manufactured or approved by Icom.

Thank you for choosing this Icom product.  
**READ ALL INSTRUCTIONS** carefully and completely before using this product.

#### Explicit definitions

WORD	DEFINITION
⚠ <b>WARNING!</b>	Personal injury, fire hazard or electric shock may occur.
<b>CAUTION</b>	Equipment damage may occur.
<b>NOTE</b>	If disregarded, inconvenience only. No risk of personal injury, fire or electric shock.

#### Precautions

⚠ **WARNING! NEVER** use any equipment other than those specified. It may fall and cause an injury, and/or damage the mounting bracket.

⚠ **WARNING! NEVER** put the mounting bracket in an unstable place where the mounting bracket may suddenly move or fall. This could cause an injury and/or damage the mounting bracket.

⚠ **WARNING! NEVER** install the device in a material that is lack strength or is prone to corrosion. This could cause an injury or damage to the mounting bracket and/or the device.

**CAUTION: DO NOT** drop the mounting bracket or strongly impact the mounting bracket. This may cause an injury and/or damage the mounting bracket.

**CAUTION: DO NOT** install differently from the description. Make sure not to install the device improperly. This may damage the mounting bracket and/or the device.

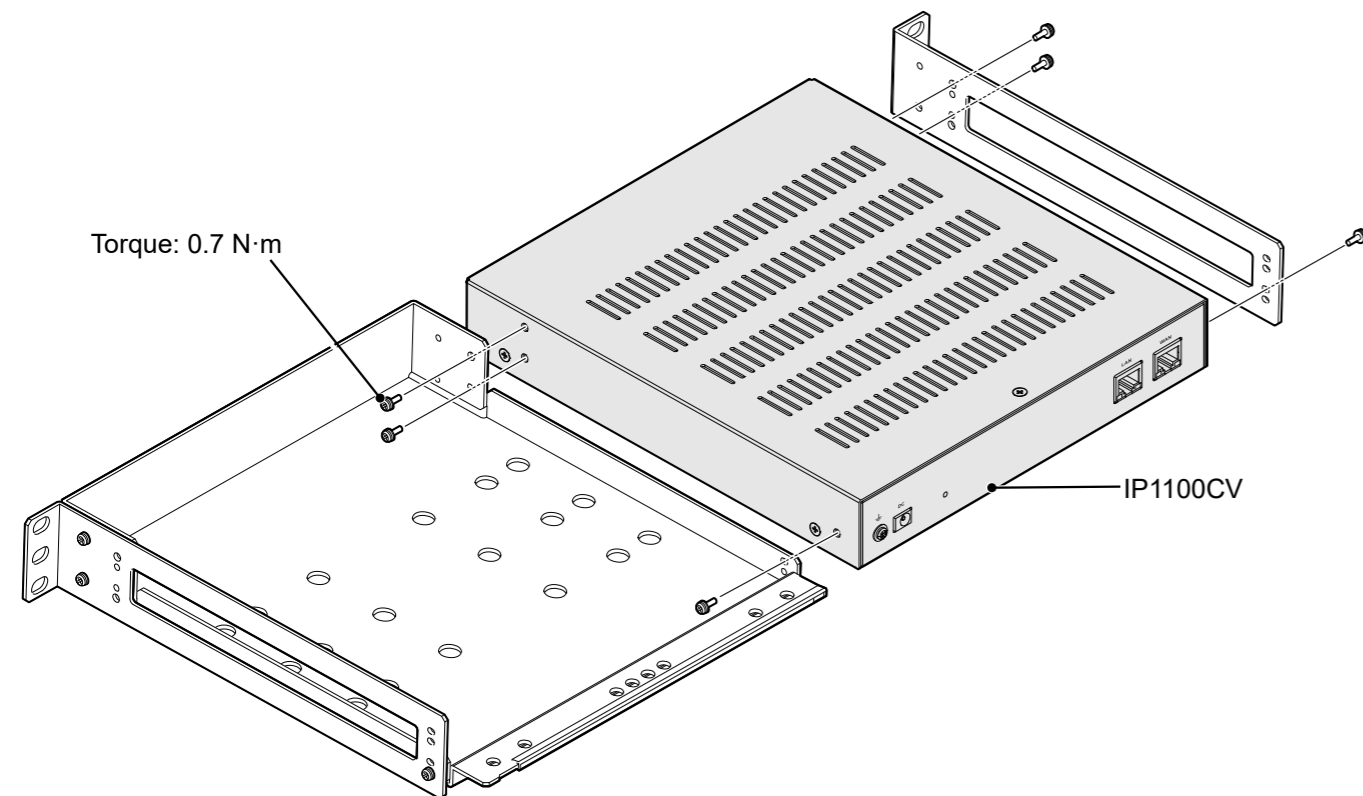
MBF-6 installation is intended for only professional installers. Icom is not responsible for any building breakage, any damage resulting from a drop of the mounting bracket from a high place or unstable site, or any personal injury or any accident in any other case. Be sure to consult an expert engineer for installation help.

① Also, see "Precautions" in the instruction manual of the device for which the mounting bracket is used.

## Installing the brackets

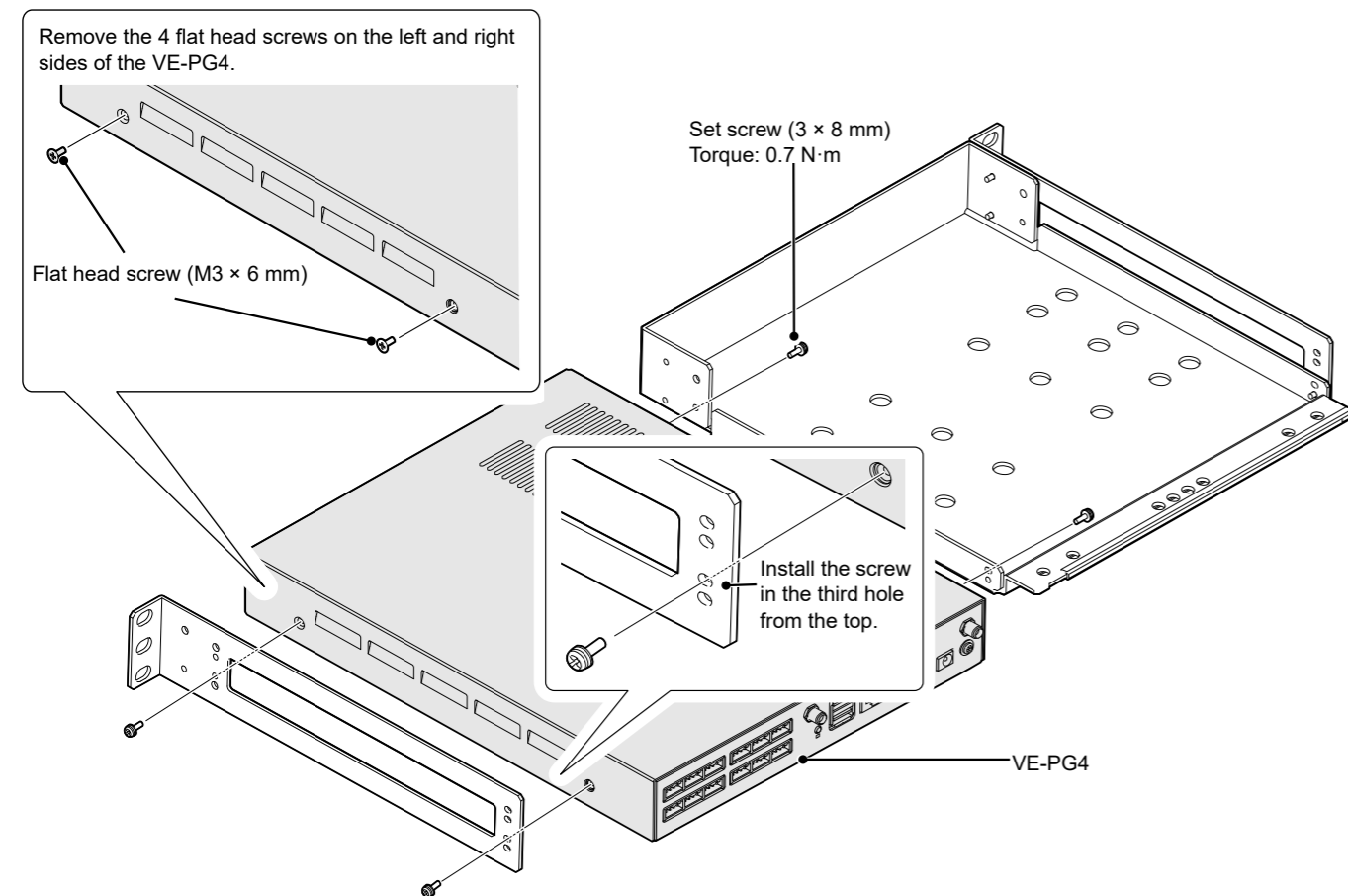
### ◆ To the IP1100CV

Fix the main bracket and a side bracket to each side of the IP1100CV with the 3 set screws supplied with the MBF-6.



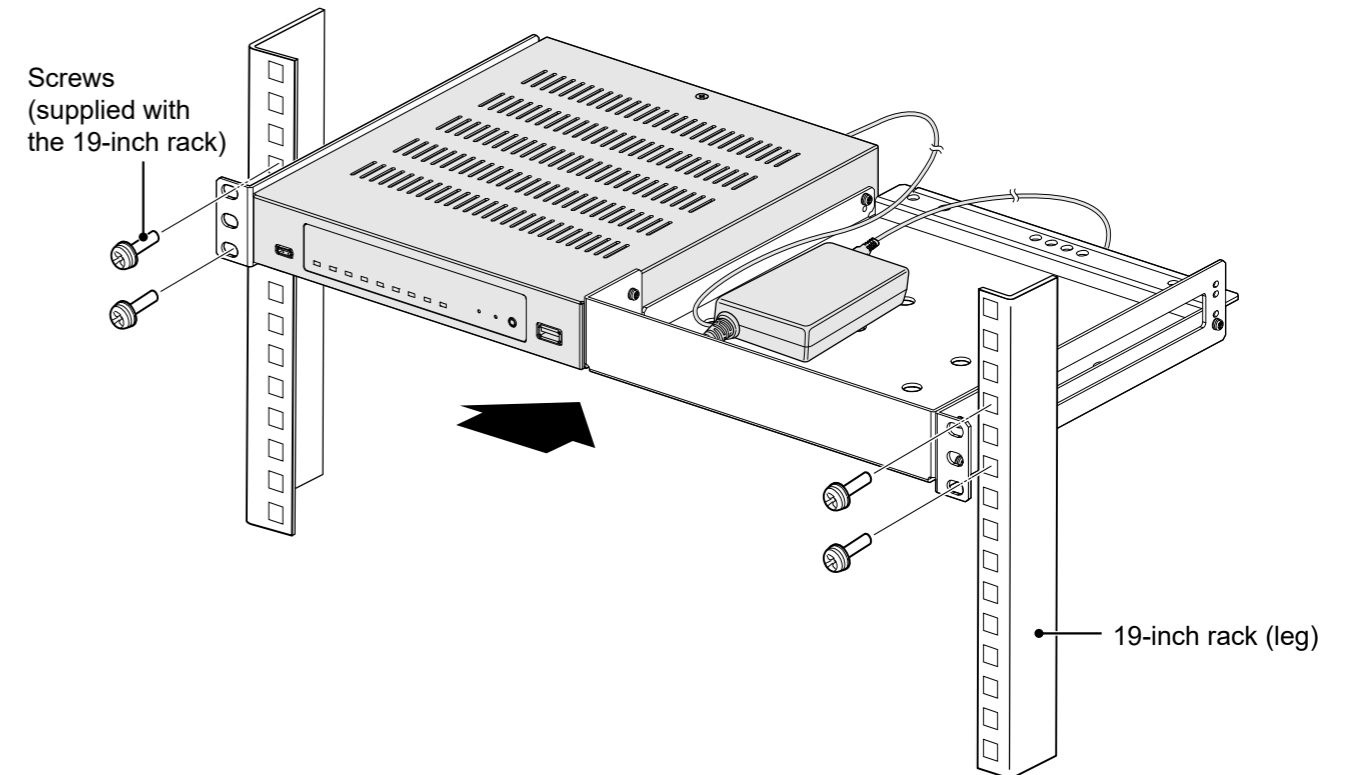
### ◆ To the VE-PG4

Remove the 4 screws installed on the side panels of the VE-PG4, and then fix the main bracket and a side bracket to the VE-PG4 with the set screws supplied with the MBF-6.



## Mounting example

Make sure that the mounting bracket is secured to the device before attaching it to a 19-inch rack leg. If it is not firmly attached, it may cause injury or malfunction due to dropping.



### TIP:

- To prevent disconnection of the power adapter, It is recommended that you fix the power cable with the Clamp (supplied with the IP1100CV or VE-PG4), as shown in the illustration.
- You can attach the power adapter and power cable by passing a cable tie (user supplied) through the holes in the Main bracket.

